

COMEN Share with the World



CE<sub>0197</sub>

Shenzhen Comen Medical Instruments Co., Ltd.

Add: Floor 10, Floor 11 and Section C of Floor 12 of Building 1A & Floor 1 to Floor 5 of Building 2, FIYTA Timepiece Building, Nanhuan Avenue, Matian Sub-district, Guangming District, Shenzhen, Guangdong, 518106, P.R. China

Tel:+86-755-2640 8879 Fax:+86-755-2643 1232 Website: en.comen.com E-mail: info@szcomen.com

P/N: EN-B3-8P-20210603-V2.4

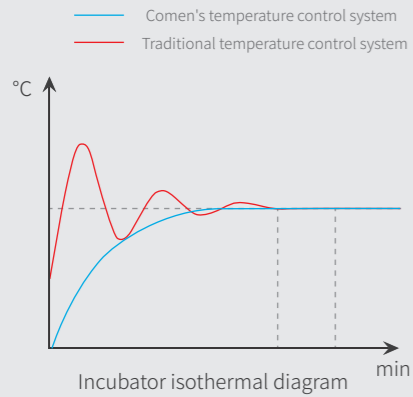
B3 Neonatal Incubator



# Create a Womb-like Environment

For every treasured baby new to the world, it is everyone's mission to protect them from bacteria and help them grow up healthy. B3 creates a controlled and protected environment for premature babies to get healed peacefully and efficiently.

## Precise and Efficient Temperature Control System



### Fast Heating:

With variable resistive heating technology, B3 can complete the pre-heating with high efficiency.

### Over-temp Protection:

There are a total of 7 temperature sensors which monitor the system seamlessly. When abnormal temperature signal is captured, triple over-temp protection will be triggered automatically to protect the baby.



System protection



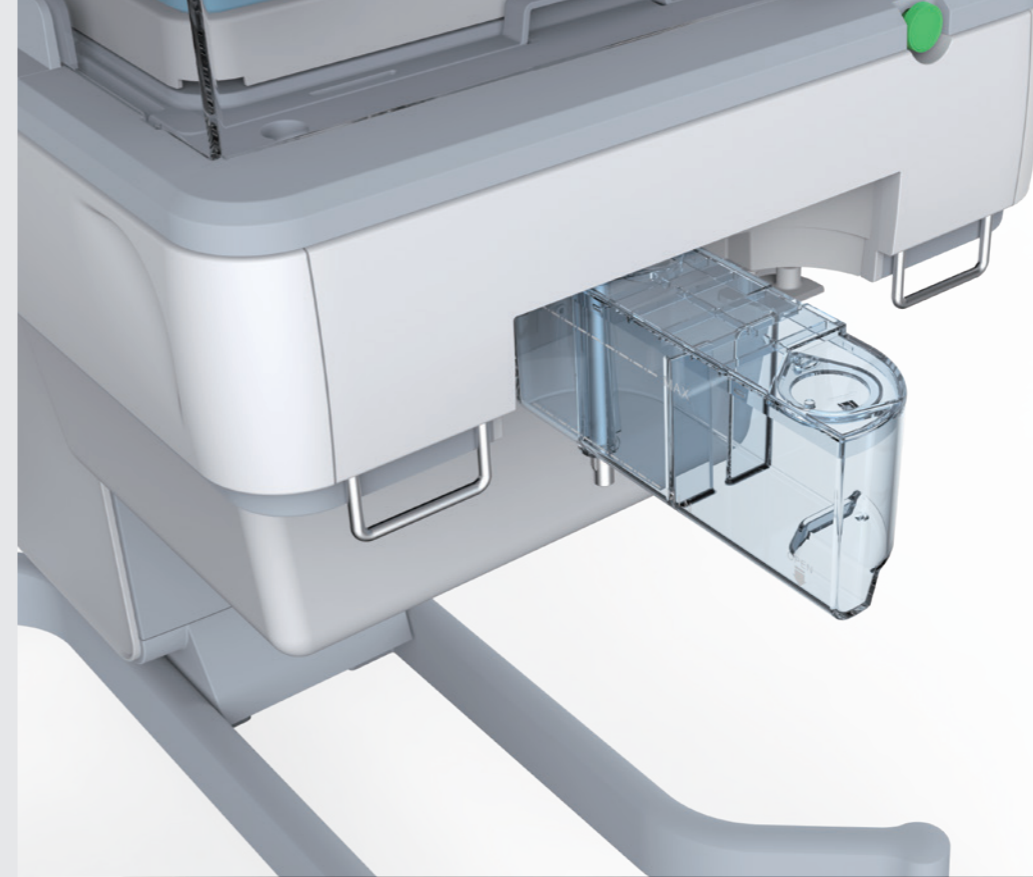
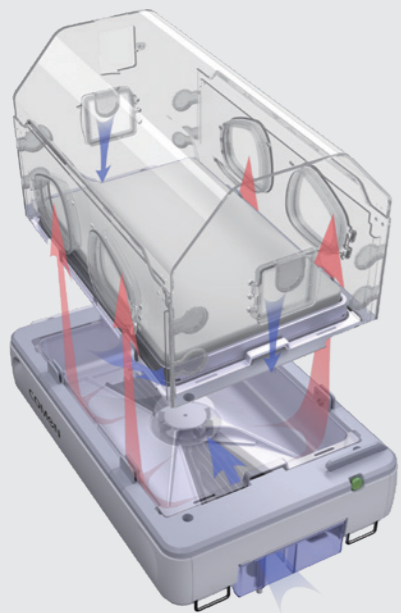
Hardware protection



Mechanical protection

### Stable Temperature Control:

B3 adopts symmetrical duct design, which enables even distribution and steady change of environment temperature. Furthermore, when the access door is opened, the internal air curtain will be automatically started to prevent heat loss. These two features ensure stable temperature control in the incubator, which is conducive to started premature infant's healing.



## Safe & Efficient Humidification

### Accurate Humidity Control:

Maximum humidity: 95%  
Accuracy:  $\pm 5\%$  (Humidity < 85%)

### Easy-observing Water Tank:

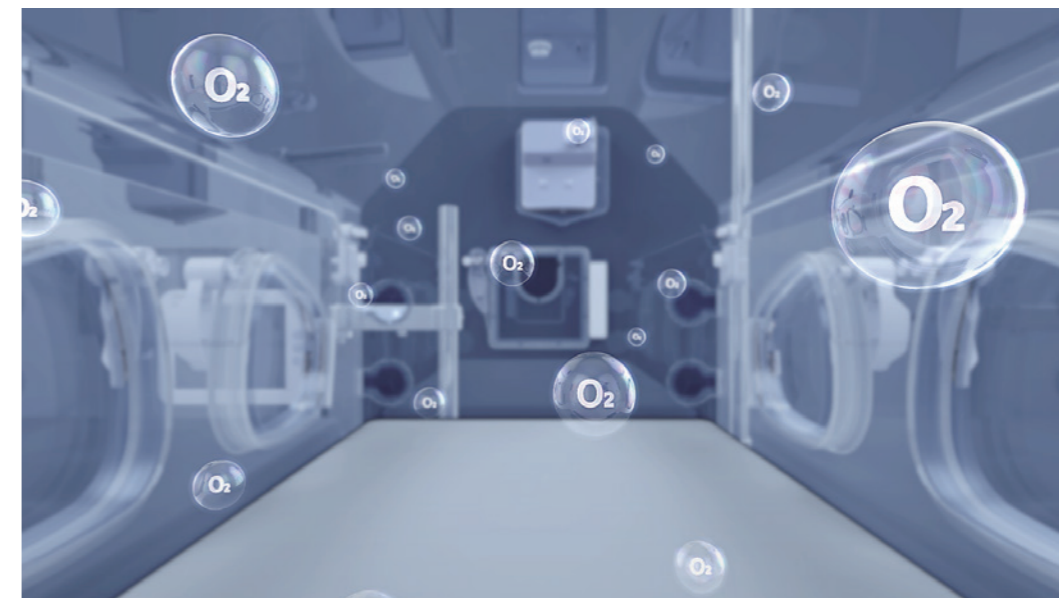
The water tank is made of transparent material. The water condition inside could be viewed with at one glance. This will greatly reduce the risk of dry burning.

### Easy to Disassemble:

The water tank is designed with an easy disassembling way, which will significantly reduce the risk of infection.

## Servo-control Oxygen System

Comen B3 is equipped with the servo-control oxygen system, which realizes the closed-loop feedback control of oxygen concentration. By this means, the system will reach the target oxygen concentration fast and accurately.



# The World's First Incubator with Therapeutic Function

For most of the premature infants, their respiratory system is under development. This will lead to irregular breath and even apnea. If not handled properly and timely, it will cause harm to the infants' brains. And in some severe cases, apnea will threaten infants' life.

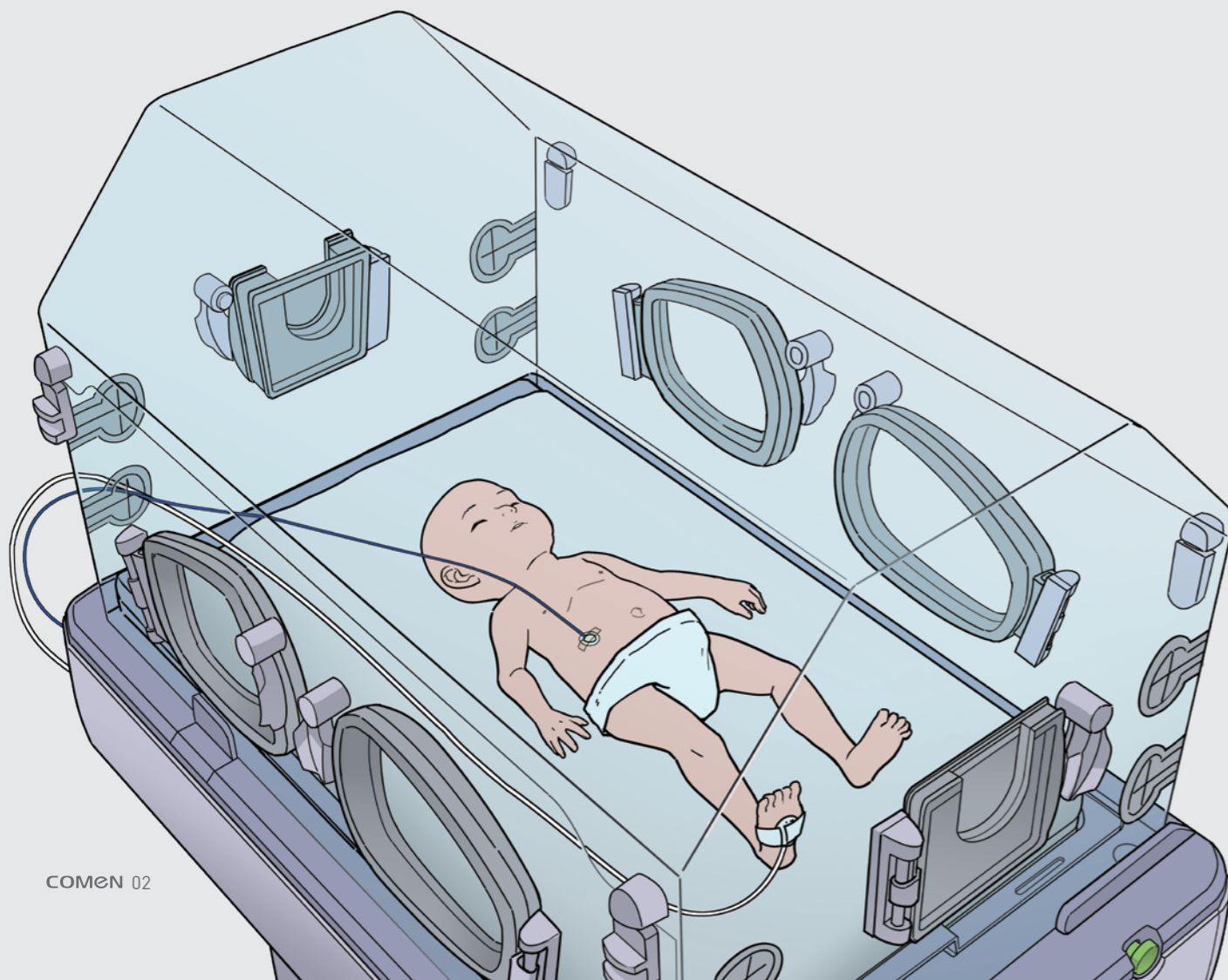
## Apnea Rescue Function

Comen invited the world's leading apnea rescue system. The system consists of a breathing sensor and a vibrator. Abdominal breathing sensors will monitor the infants' respiratory conditions all the time. And the vibrators tied to the infant's feet will be triggered to stimulate and wake up when abnormal breath happened. This function will help to relieve the heavy workload of clinicians.

Continuous Monitoring

Automatic Trigger

Successful Rescue



# 3-step Disassembly, Easy to Disassemble and Clean

The immune system of premature infants is immature. To avoid the risk of infection, sterilization should be conducted thoroughly. Comen B3 adopts a 3-step disassembly design. Make disassembly and sterilization easy and efficient.

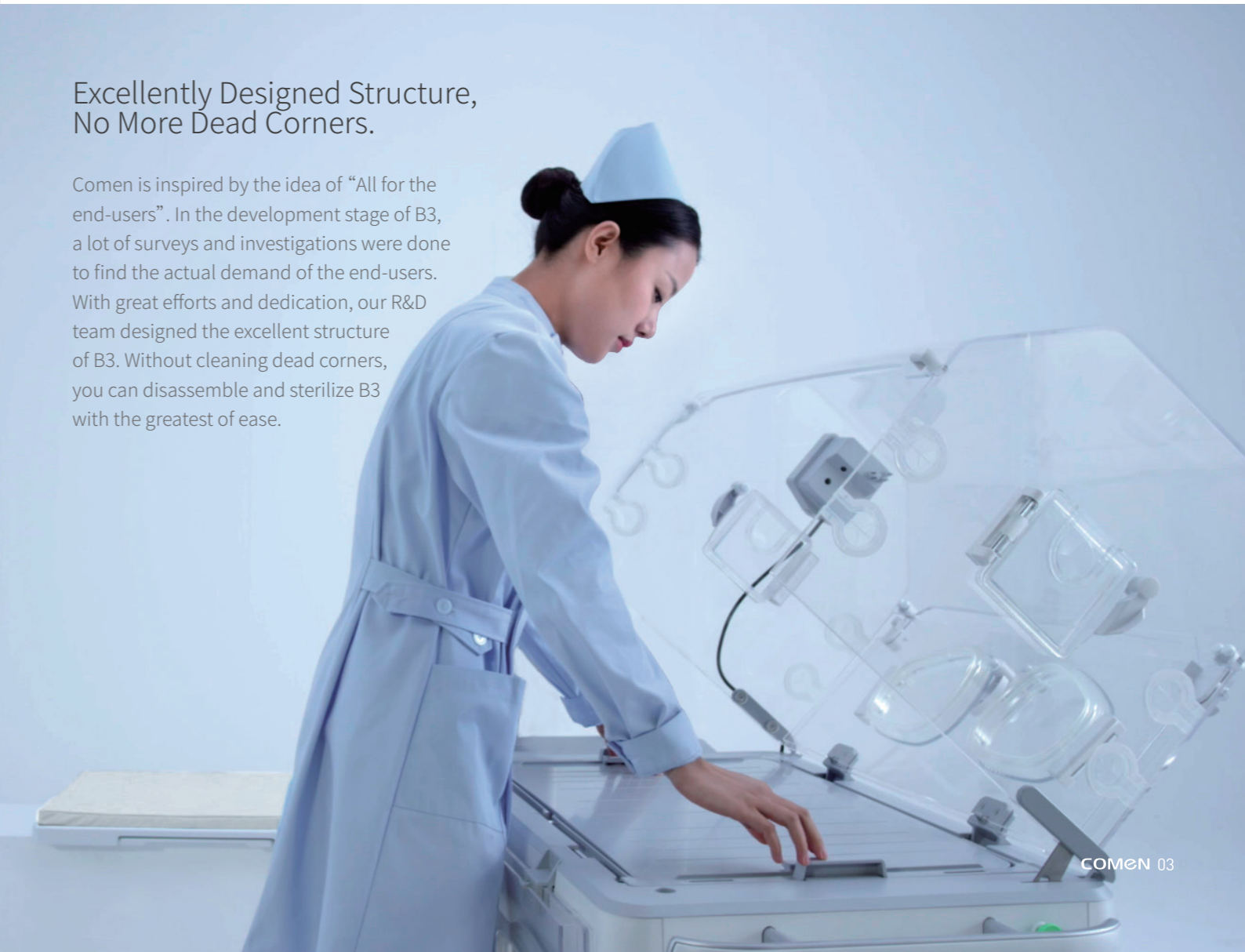


## 3-step Disassembly

Comen B series incubator is the most easy-to-disassemble incubators in the industry, which will greatly relieve the burden of clinicians.

## Excellent Designed Structure, No More Dead Corners.

Comen is inspired by the idea of "All for the end-users". In the development stage of B3, a lot of surveys and investigations were done to find the actual demand of the end-users. With great efforts and dedication, our R&D team designed the excellent structure of B3. Without cleaning dead corners, you can disassemble and sterilize B3 with the greatest of ease.

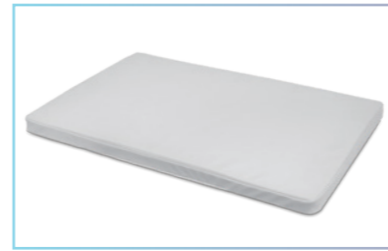


# Best Gift for Clinicians and Infants

For infants, B3 provides a peaceful environment for their fast healing.  
For Clinicians, B3 Provides quality user experience.

## Touch Screen Display

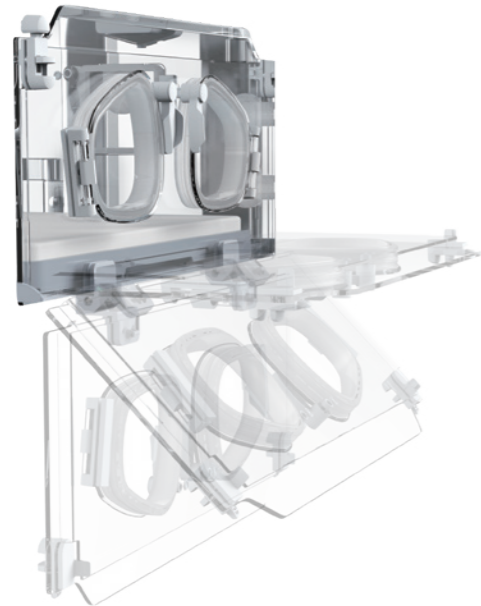
8-inch LED touch screen display:  
With the angle adjustable touch screen, B3 will facilitate clinicians' observation and operation.



**Pressure Diffusing Mattress:**  
B3 mattress is designed to protect the baby's body, reducing pressure and maximizing comfort.



**X-ray Tray:**  
With X-ray tray, B3 enables X-rays to be taken without disturbing the infant.



## Quiet Access Door

The B3 access door is designed with a built-in damper, which will reduce the unwanted noise and create a peaceful environment for the infant's healing.



**Tube Holder:**  
The holder is designed to sort out various tubes and makes them neatly arranged for operation.



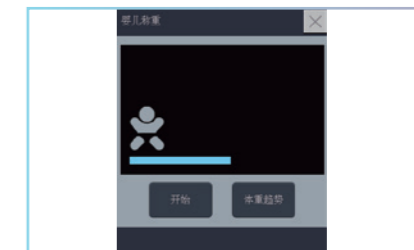
**Extra-large Storage Drawer:**  
It provides more space for baby care items.

## Electric Bed

B3 abandons the traditional manual tilting design. With electric tilting function, B3 will make daily nursing more efficient.



**Incubator Cover:**  
Reduces light pollution, Make the environment more comfortable for infants.



**Built-in Electronic Scale:**  
The built-in electronic scale provides quick and easy weighing for infants.

